

EXCLUSIVE AUSTRALIAN IMPORTER



AQUATIC TECHNOLOGIES



Aqua Control

WATER FEATURES

TITAN SERIES DISPLAY AERATION FOUNTAINS

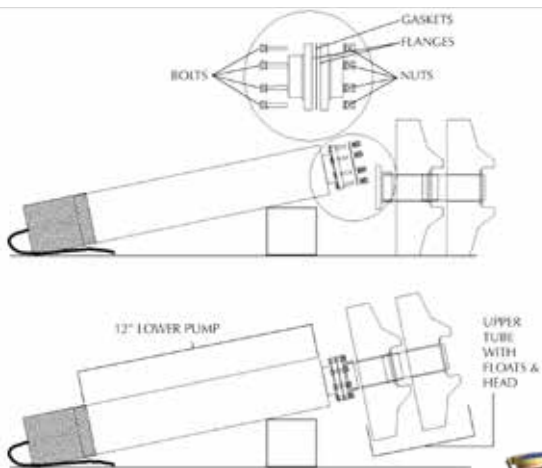


www.aquaticequipment.net.au | 41 Yazaki Way, Carrum Downs Vic, AUSTRALIA, 3201 | PH: 03 9071 2442

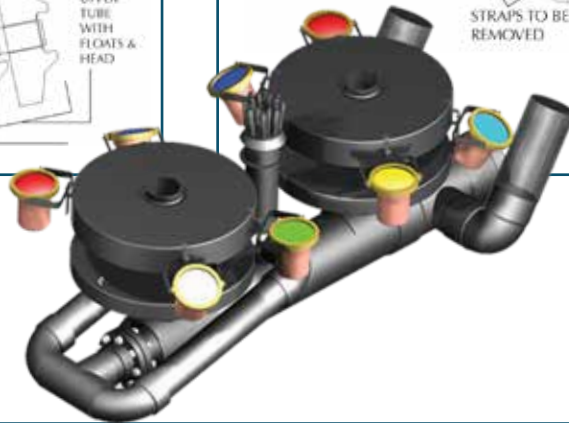
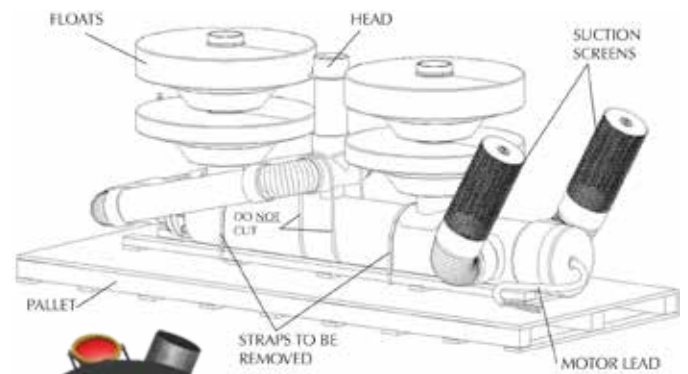
Titan Series 7.5HP-40HP Display Aeration

These fountains range from 7.5 HP to 40 HP. For an awe inspiring display, this group of products is the answer.

Vertical Assembly



Horizontal Assembly



Scepter

50Hz



10HP motor shown

The Scepter produces a heavy, opaque, mass of water high in the air while creating an attractive shape. This pattern is excellent for blocking the sights and sounds of highway traffic in industrial or commercial sites.

HP	Performance			Depth	Amps	kW
	Height (m)	Diameter (m)	Output (M ³ /H)	Min. Operating Water Depth (m)	Three Phase 400V	Power Usage
7,5	7	5	102	1,3	13	7
10	8	5,5	123	1,3	17	10
15	10	7	163	1,3	24	14
20	12	8	184	1,3	32	18
25	14	9	204	1,5	40	23
30	16	11	225	1,5	47	27
40	20	13	245	1,5	64	36

AQUATIC TECHNOLOGIES

www.aquaticequipment.net.au | 41 Yazaki Way, Carrum Downs Vic, AUSTRALIA, 3201 | PH: 03 9071 2442



Tiara

50Hz



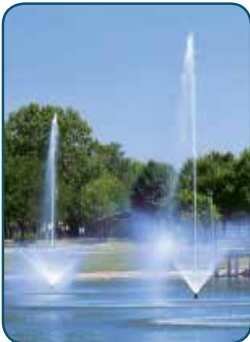
20HP motor shown

The Tiara is a 3 tier pattern with a Sky Geyser that is surrounded by a 12 stream reduced height Trellis which in turn is surrounded by a 12 stream, low, maximum diameter Spoke.

HP	Performance			Depth	Amps	kW
	Height (m)	Diameter (m)	Output (M ³ /H)	Min. Operating Water Depth (m)	Three Phase 400V	Power Usage
7,5	10	27	82	1,3	13	7
10	11	28	102	1,3	17	10
15	12	30	123	1,3	24	14
20	15	32	163	1,3	32	18
25	16	34	184	1,5	40	23
30	19	36	225	1,5	47	27

Flare & Sky Geyser

50Hz



7.5 & 10HP motor shown

The Flare and Sky Geyser is a 2 tier pattern, that creates a high, narrow, smooth, and coherent Sky Geyser while also creating a lower fan.

HP	Performance			Depth	Amps	kW
	Height (m)	Diameter (m)	Output (M ³ /H)	Min. Operating Water Depth (m)	Three Phase 400V	Power Usage
7,5	10	10	82	1,3	13	7
10	11	11	102	1,3	17	10
15	13	13	123	1,3	24	14
20	15	15	143	1,3	32	18

Trellis

50Hz



15HP motor shown

The Trellis has 12, high, gracefully arching, coherent streams. As with other patterns with tall arching steams, the Trellis lights extremely well and is especially beautiful when lit with different colored lights.

HP	Performance			Depth	Amps	kW
	Height (m)	Diameter (m)	Output (M ³ /H)	Min. Operating Water Depth (m)	Three Phase 400V	Power Usage
7,5	7,6	15	102	1,3	13	7
10	8	16	133	1,3	17	10
15	8,7	17	163	1,3	24	14
20	9,3	18	171	1,3	32	18
25	10	20	184	1,5	40	23
30	11	22	225	1,5	47	27
40	14	28	265	1,5	64	36

Cascade

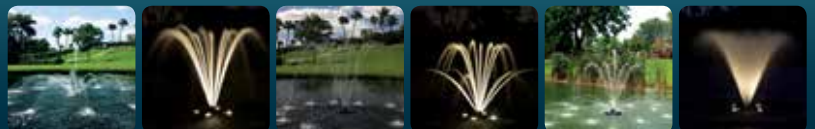
50Hz



20HP motor shown

The Titan Cascade uses a specialized, pattern-specific upper tube that induces a greater flow than the pump produces. This creates a very heavy and attractive "pine tree" shape.

HP	Performance			Depth	Amps	kW
	Height (m)	Diameter (m)	Output (M ³ /H)	Min. Operating Water Depth (m)	Three Phase 400V	Power Usage
7,5	7	2	245	1,3	13	7
10	8	3	275	1,3	17	10
15	11	3	306	1,3	24	14
20	14	4	357	1,3	32	18
25	16	5	377	1,5	40	23





Trellis & Sky Geysers

50Hz



10HP motor shown

The Trellis & Sky Geysers has a high, single, coherent, Sky Geysers surrounded by a beautiful, 12 stream, reduced height Trellis.

HP	Performance			Depth	Amps	kW
	Height (m)	Diameter (m)	Output (M ³ /H)	Min. Operating Water Depth (m)	Three Phase 400V	Power Usage
7,5	9	6	82	1,3	13	7
10	10	7	102	1,3	17	10
15	12	8	123	1,3	24	14
20	14	9	143	1,3	32	18
25	15	10	163	1,5	40	23
30	16	11	204	1,5	47	27
40	19	18	245	1,5	64	36

Sky Geysers

50Hz



10HP motor shown

Narrow, smooth, coherent stream that is able to achieve the maximum height the pump can generate. This is the pattern to use if the goal is to create a landmark of extreme height.

HP	Performance			Depth	Amps	kW
	Height (m)	Diameter (m)	Output (M ³ /H)	Min. Operating Water Depth (m)	Three Phase 400V	Power Usage
7,5	11	1	82	1,3	13	7
10	14	1,5	92	1,3	17	10
15	16	2	112	1,3	24	14
20	19	2	143	1,3	32	18
25	22	2	153	1,5	40	23
30	27	3	163	1,5	47	27
40	30	3	204	1,5	64	36

Quad

50Hz



15HP motor shown

The Quad has 4 tiers of 6 gracefully arching, coherent streams. Each tier has gradually reduced height and increased diameter.

HP	Performance			Depth	Amps	kW
	Height (m)	Diameter (m)	Output (M ³ /H)	Min. Operating Water Depth (m)	Three Phase 400V	Power Usage
7,5	8	22	82	1,3	13	7
10	9	23	102	1,3	17	10
15	10	25	123	1,3	24	14
20	11	26	143	1,3	32	18

Geysers

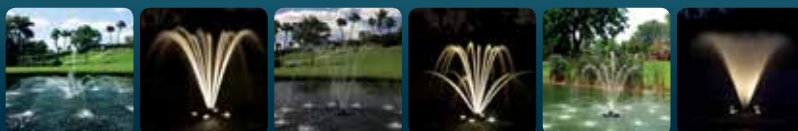
50Hz



10HP motor shown

The Geysers has multiple streams to produce a single, thick, high column of water.

HP	Performance			Depth	Amps	kW
	Height (m)	Diameter (m)	Output (M ³ /H)	Min. Operating Water Depth (m)	Three Phase 400V	Power Usage
7,5	11	1,3	82	1,3	13	7
10	12	1,5	102	1,3	17	10
15	14	2	122	1,3	24	14
20	16	2	143	1,3	32	18
25	18	2	163	1,5	40	23
30	20	2	184	1,5	47	27
40	22	3	245	1,5	64	36





Majestic

50Hz



10HP motor shown

7-8, (depending on horsepower), high, coherent, arching streams and 7 or 8 medium arching streams to create a beautiful pattern of maximum height and substantial diameter. maximizing visual impact of a 2 tier pattern high with a large diameter.

HP	Performance			Depth Min. Operating Water Depth (m)	Amps	kW Power Usage
	Height (m)	Diameter (m)	Output (M ³ /H)		Three Phase 400V	
7,5	8	16	82	1,3	13	7
10	9	17	102	1,3	17	10
15	10	20	123	1,3	24	14
20	11	22	143	1,3	32	18

Spoke & Sky Geyser

50Hz



15HP motor shown

The Spoke and Sky Geyser has a high Sky Geyser surrounded by a maximum diameter Spoke. The larger diameter helps to discourage unwanted waterfowl. This pattern is especially attractive when viewed from a higher vantage point.

HP	Performance			Depth Min. Operating Water Depth (m)	Amps	kW Power Usage
	Height (m)	Diameter (m)	Output (M ³ /H)		Three Phase 400V	
7,5	8	24	92	1,3	13	7
10	9,5	27	112	1,3	17	10
15	10,5	33	143	1,3	24	14
20	12	35	165	1,3	32	18

Spoke & Trellis

50Hz



15HP motor shown

The Spoke and Trellis has a moderately high, arching pattern surrounded by a low and wide, wind resistant pattern. The very wide pattern provides a large area of coverage. This pattern is especially attractive when it is viewed from a higher point.

HP	Performance			Depth Min. Operating Water Depth (m)	Amps	kW Power Usage
	Height (m)	Diameter (m)	Output (M ³ /H)		Three Phase 400V	
7,5	7	22	102	1,3	13	7
10	7,5	23	132	1,3	17	10
15	8	25	163	1,3	24	14
20	9	27	173	1,3	32	18
25	10	30	184	1,5	40	23

Daffodil

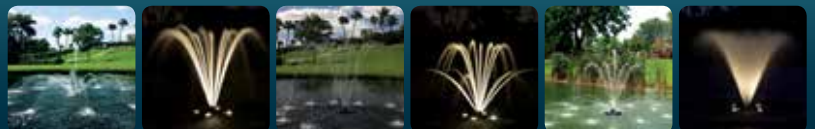
50Hz

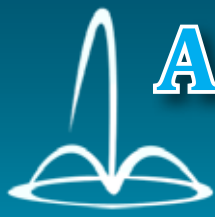


10HP motor shown

The Daffodil has a wide, low fan and a thick, high center stream. It is also perfect for golf courses where a high and solid pattern might block the view of a green. The low fan and the single, coherent, center stream would not obstruct the view.

HP	Performance			Depth Min. Operating Water Depth (m)	Amps	kW Power Usage
	Height (m)	Diameter (m)	Output (M ³ /H)		Three Phase 400V	
7,5	8	14	102	1,3	13	7
10	9	16	133	1,3	17	10
15	11	20	147	1,3	24	14
20	12	22	173	1,3	32	18





Double Trellis

50Hz



15HP motor shown

The Double Trellis has 8 high, coherent, arching streams with 8 lower, arching streams all landing in the same diameter.

HP	Performance			Depth	Amps	kW
	Height (m)	Diameter (m)	Output (M ³ /H)	Min. Operating Water Depth (m)	Three Phase 400V	Power Usage
7,5	8	14	102	1,3	13	7
10	9	16	133	1,3	17	10
15	11	20	147	1,3	24	14
20	12	22	173	1,3	32	18

Buckingham

50Hz



15HP motor shown

The Buckingham has a tall center stream surrounded by 4 tiers of 6, gracefully arching, streams. Each tier has a gradually reduced height and increased diameter. This creates a pyramid effect while maintaining traditional coherent streams.

HP	Performance			Depth	Amps	kW
	Height (m)	Diameter (m)	Output (M ³ /H)	Min. Operating Water Depth (m)	Three Phase 400V	Power Usage
7,5	10	13	82	1,3	13	7
10	11	16	102	1,3	17	10
15	13	18	123	1,3	24	14
20	15	22	143	1,3	32	18
25	16	24	163	1,5	40	23
30	19	26	204	1,5	47	27
40	22	30	245	1,5	64	36

Fleur de Lis

50Hz



15HP motor shown

The Fleur de Lis has a high, smooth, narrow, Sky Geyser surrounded by an 8 stream intermediate Trellis-style pattern that in turn is surrounded by 8 lower and wider arching streams.

HP	Performance			Depth	Amps	kW
	Height (m)	Diameter (m)	Output (M ³ /H)	Min. Operating Water Depth (m)	Three Phase 400V	Power Usage
7,5	11	11	82	1,3	13	7
10	12	12	102	1,3	17	10
15	14	14	123	1,3	24	14
20	15	15	143	1,3	32	18
25	16	16	163	1,5	40	23
30	18	18	204	1,5	47	27
40	20	20	245	1,5	64	36

Lily

50Hz



15HP motor shown

The Lily has a wide, low fan, and 7 thick, high, coherent arching streams. It is perfect for any application where a high, solid pattern might block a view. The low fan and solid streams are relatively wind resistant.

HP	Performance			Depth	Amps	kW
	Height (m)	Diameter (m)	Output (M ³ /H)	Min. Operating Water Depth (m)	Three Phase 400V	Power Usage
7,5	7	14	102	1,3	13	7
10	8	15	133	1,3	17	10
15	8	16	163	1,3	24	14
20	9	18	184	1,3	32	18
25	10	20	204	1,5	40	23
30	11	22	225	1,5	47	27

