

EXCLUSIVE AUSTRALIAN IMPORTER



AQUATIC TECHNOLOGIES



Aqua Control

WATER FEATURES

SELECT SERIES II DISPLAY AERATION FOUNTAINS

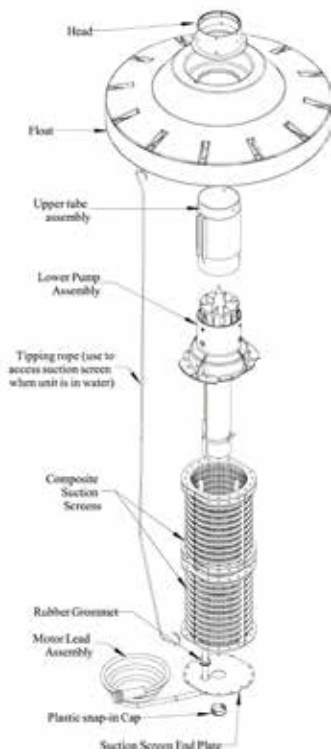


www.aquaticequipment.net.au | 41 Yazaki Way, Carrum Downs Vic, AUSTRALIA, 3201 | PH: 0409 180 707

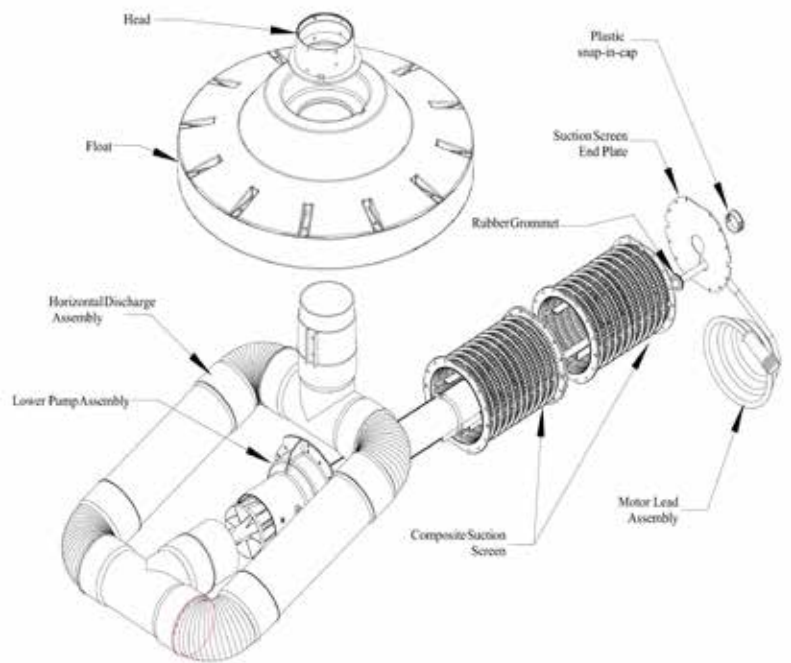
Select Series II Display Aeration Fountains

Ranging from 2 HP to 5 HP, these newly designed high performance aerators are re-engineered to minimize stress on the motor. Composed of high strength composite materials, these innovative aerators offer the highest pumping rate in the industry. They are available in vertical and horizontal configurations.

Vertical Assembly



Horizontal Assembly



Super Lily



Scepter



Delmar



Trillium



Tornado

AQUATIC TECHNOLOGIES

www.aquaticequipment.net.au | 41 Yazaki Way, Carrum Downs Vic, AUSTRALIA, 3201 | PH: 0409 180 707

Super Lily

Style: Low-Wide

50Hz



3HP motor shown

The Super Lily is a 2 tier pattern with a beautiful, wide, low fan pattern. It has 12 high, smaller diameter arching stream. Like the Lily, it lights very well and the fan is quite wind resistant.

HP	Performance			Depth		Amps			kW
	Height (m)	Diameter (m)	Output (M ³ /H)	Min. Operating Water Depth (m)		Single Phase 230V	Three Phase		Power Usage
				Vert.	Horiz.		230V	400V	
2	3	10,7	80	1,1	0,7	11	8	5	3
3	4,3	11	100	1,1	0,7	15	10	6	4
5	5,5	15,2	110	1,1	0,7	22	17	10	6

Scepter

Style: High-Narrow

50Hz



5HP motor shown

The Scepter produces a heavy, opaque, mass of water high in the air in an attractive shape. This pattern is excellent for blocking the sight and sounds of highway traffic and industrial or commercial eyesores.

HP	Performance			Depth		Amps			kW
	Height (m)	Diameter (m)	Output (M ³ /H)	Min. Operating Water Depth (m)		Single Phase 230V	Three Phase		Power Usage
				Vert.	Horiz.		230V	400V	
2	3	2,4	80	1,1	0,7	11	8	5	3
3	4,3	3	100	1,1	0,7	15	10	6	4
5	7,6	6,1	110	1,1	0,7	22	17	10	6

Delmar

Style: Narrow-Fill

50Hz



5HP motor shown

The Delmar has an impressively high, heavy, center stream surrounded by 16 heavy, lower arching streams.

HP	Performance			Depth		Amps			kW
	Height (m)	Diameter (m)	Output (M ³ /H)	Min. Operating Water Depth (m)		Single Phase 230V	Three Phase		Power Usage
				Vert.	Horiz.		230V	400V	
2	3,7	4	80	1,1	0,7	11	8	5	2
3	4,3	4,6	100	1,1	0,7	15	10	6	3
5	6,7	7,9	110	1,1	0,7	22	17	10	6

Trillium

Style: Wide-Fill

50Hz



5HP motor shown

The Trillium is a 3 tier pattern. It has a vertical stream that is surrounded by 2 tiers of 8 heavy, gracefully arching, coherent streams with each tier shorter than the previous tier but with an increased diameter.

HP	Performance			Depth		Amps			kW
	Height (m)	Diameter (m)	Output (M ³ /H)	Min. Operating Water Depth (m)		Single Phase 230V	Three Phase		Power Usage
				Vert.	Horiz.		230V	400V	
2	3,7	5,5	80	1,1	0,7	11	8	5	3
3	4,9	7,9	100	1,1	0,7	15	10	6	4
5	6,7	11	110	1,1	0,7	22	17	10	6

Tornado

Style: High-Volume

50Hz



3HP motor shown

The Tornado produces the maximum pumping rate and the highest oxygen transfer rates of any Display Aerator while creating a beautiful, full, conical spray pattern.

HP	Performance			Depth		Amps			kW
	Height (m)	Diameter (m)	Output (M ³ /H)	Min. Operating Water Depth (m)		Single Phase 230V	Three Phase		Power Usage
				Vert.	Horiz.		230V	400V	
2	2,7	7,6	80	1,1	0,7	11	8	5	3
3	3,7	9,1	100	1,1	0,7	15	10	6	4
5	4,6	10,7	110	1,1	0,7	22	17	10	6

